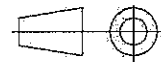
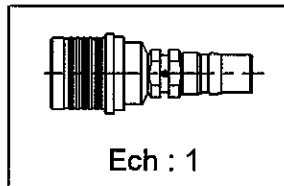
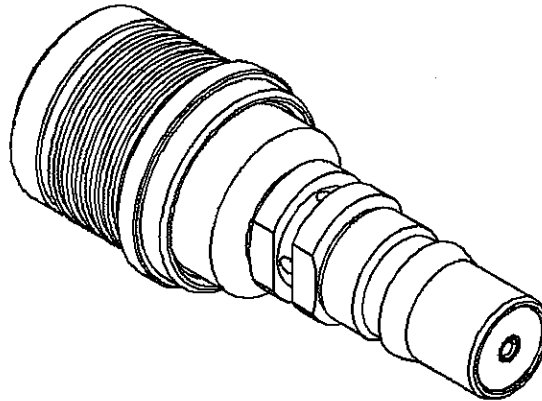
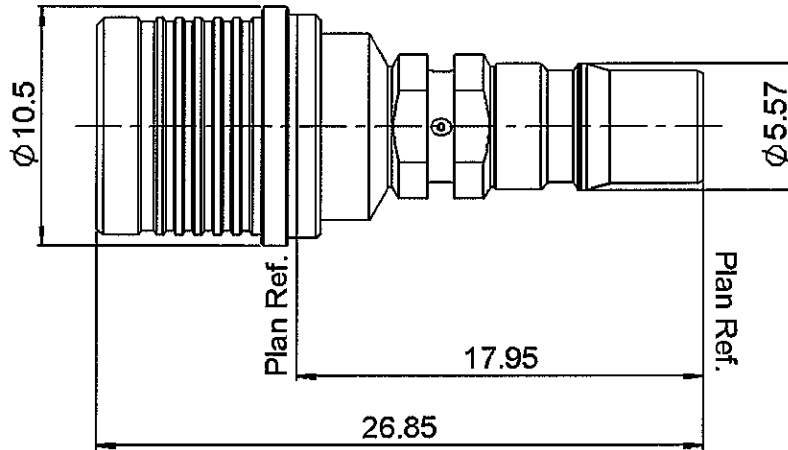


STRAIGHT MALE-FEMALE ADAPTER

R123.704.000

Series : QMA



All dimensions are in mm.

COMPONENTS	MATERIALS	PLATINGS (µm)
BODY	BRASS	BBR 2
CENTER CONTACT	BERYLLIUM COPPER	GOLD 1.3 OVER COPPER 2.5
OUTER CONTACT	BRASS	BBR 2
INSULATOR	PTFE	
GASKET		
OTHERS PARTS	BRASS	BBR 2
-	-	-
-	-	-

Issue : 0528 E

In the effort to improve our products, we reserve the right to make changes judged to be necessary.



STRAIGHT MALE-FEMALE ADAPTER

R123.704.000

Series : QMA

PACKAGING

Standard	Unit	Other
100	'W' option	Contact us

SPECIFICATION

ELECTRICAL CHARACTERISTICS

Impedance		50 Ω
Frequency		0-6 GHz
VSWR	1.05 +	0.012 x F(GHz) Maxi
Insertion loss		.05 √F(GHz) dB Maxi
RF leakage	-(*80 - F(GHz)) dB Maxi
Voltage rating		500 Veff Maxi
Dielectric withstanding voltage		1000 Veff mini
Insulation resistance		5000 MΩ mini

ENVIRONMENTAL

Operating temperature	-40/+80 °C
Hermetic seal	NA Atm.cm3/s
Panel leakage	NA

OTHERS CHARACTERISTICS

Assembly instruction

Others :

*RF Leakage Inter. only:3<F<6GHz >70dB

**PIM>-120 dBc at 1.8GHz (2x20W)

MECHANICAL CHARACTERISTICS

Center contact retention		
Axial force – Mating end	27	N mini
Axial force – Opposite end	27	N mini
Torque	2.8	N.cm mini
Recommended torque		
Mating	NA	N.cm
Panel nut	NA	N.cm
Mating life	100	Cycles mini
Weight	5.700	g

Issue : 0528 E

In the effort to improve our products, we reserve the right to make changes judged to be necessary.



RADIALL®